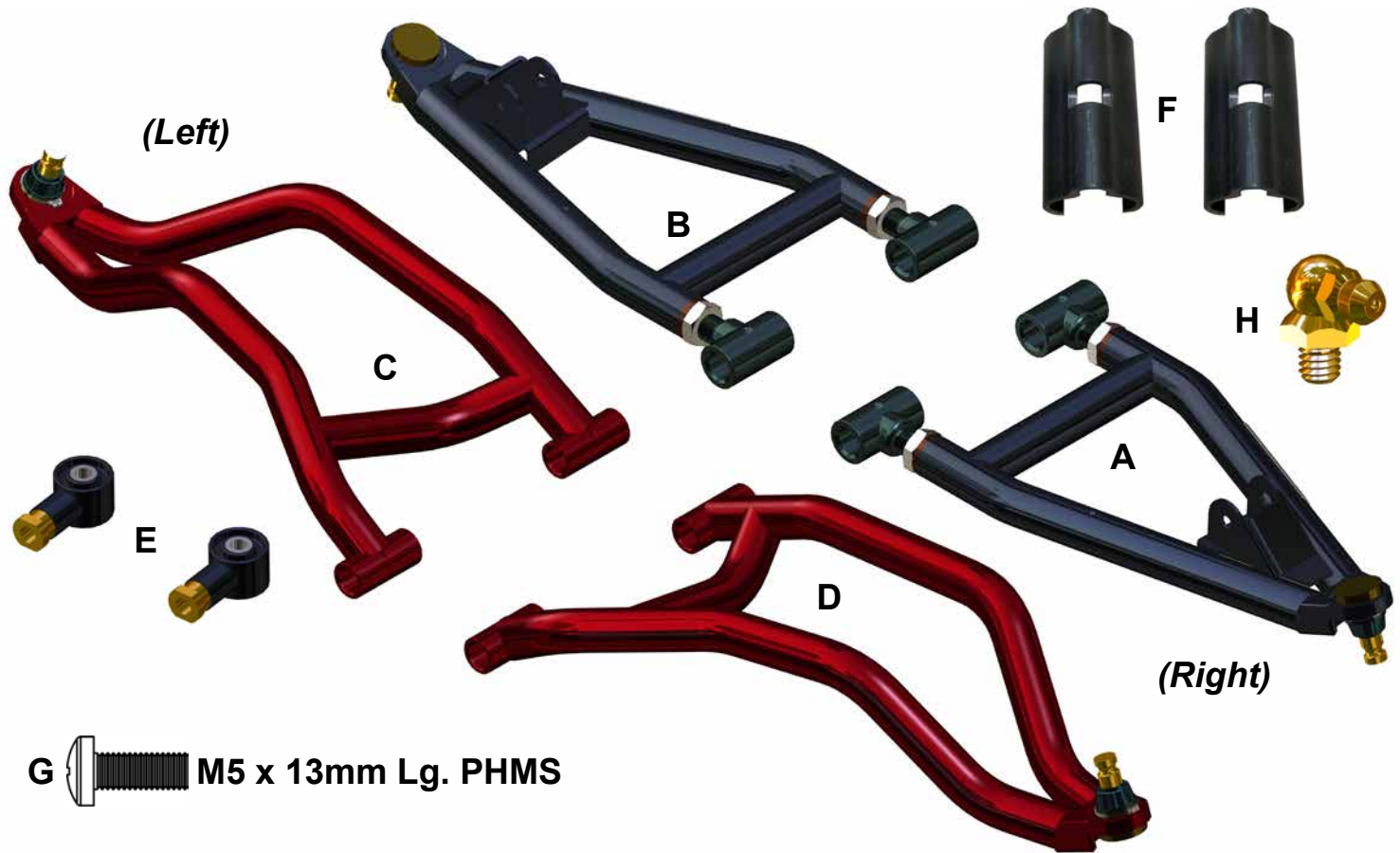


Item	Description	Qty	Item	Description	Qty
A	Upper A-Arm, Right	1	E	Tie Rod Ends	2
B	Upper A-Arm, Left	1	F	Brake Line Clips	2
C	Lower A-Arm, Left	1	G	M5-.8 x 13mm Lg. PHMS	2
D	Lower A-Arm, Right	1	H	Grease Fittings	8



**G**  M5 x 13mm Lg. PHMS

**Read instructions and view illustrations before beginning.**

**Need help with your installation?**



sales@superatv.com



www.superatv.com



1-812-574-7777



8:00am - 9:00pm EST M-Th  
8:00am - 7:00pm EST Friday  
9:00am - 2:00pm EST Saturday

*Thank You  
For Choosing*

# SUPERATV.COM

#### Liability Statement

SuperATV's products are designed to best fit users ATV/UTV under stock conditions. Adding, modifying, or fabricating any factory, or aftermarket, parts will void any warranty provided by SuperATV and is not recommended. SuperATV's products could interfere with other aftermarket accessories. If user has aftermarket products on machine, contact SuperATV to verify that they will work together.

Although SuperATV has thousands of satisfied customers, user should be aware that installing lift kits, long travel, or suspension kits, tires, etc will change the ride of machine and may increase maintenance and part wear. Operating any off-road machine while, or after, consuming alcohol and/or drugs increases risk of bodily harm or death. No warranty or representation is made as to this product's ability to protect user from severe injury or death. SuperATV urges operators and occupants to wear a helmet and appropriate riding gear at all times.

By purchasing and installing SuperATV products, user agrees that should damages occur, SuperATV will not be held responsible for loss of time, use, labor fees, replacement parts, or freight charges. SuperATV, nor any 3rd party, will not be held responsible for any direct, indirect, incidental, special, or consequential damages that result from any product purchased from SuperATV. The total liability of seller to user for all damages, losses, and causes of action, if any, shall not exceed the total purchase price paid for the product that gave rise to the claim.

SuperATV will warranty only parts provided by SuperATV. Any damage or problems with OEM housings, bearings, seals, or other manufacturers products will not be covered by SuperATV. SuperATV parts and products are not warranted if item was not installed properly, misused, or modified.

**Removal:** Keep all stock hardware and components removed from machine.

1. Raise front of machine off ground, secure with jack stands, remove Wheels, Spindles, Shocks from A-Arms, and Tie Rod Ends from Tie Rods. Carefully remove Brake Line Clamps from A-Arms.
  - Axle removal is optional.
2. Remove A-Arms from Frame.



**Installation:** Do not tighten hardware completely unless noted.

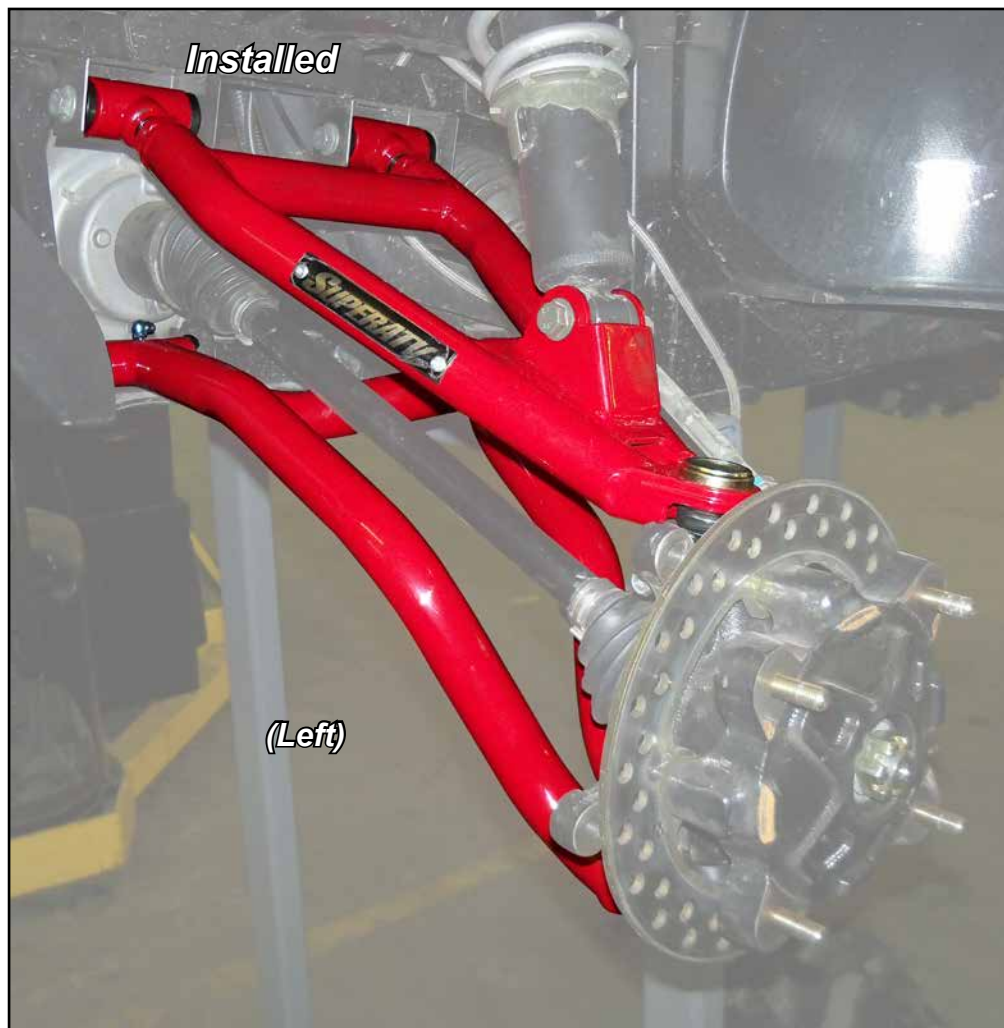
1. Transfer stock Bushings and Bearings into new A-Arms. See Fig. 1.
- Install Grease Fittings (H) into new A-Arms. See Fig. 1.
2. Set Pivot Blocks, in Upper A-Arms (A)(B), to 3/4". Further adjustments, for Toe settings, may be required after installation is complete. See Fig. 1a.

Proceed to Steering Stop Installation or go to Step 3.

### **OPTIONAL STEERING STOP KIT**

Using Steering Stop Kit prevents over extension of Axles, when reversing under hard throttle, by limiting steering range.

3. Install A-Arms (A-D) to machine with stock hardware. SuperATV recommends using Loc-Tite on Nuts when installing. See Fig. 2.
4. Reconnect Shocks to Upper A-Arms (A)(B) with stock hardware.
5. Install Tie Rod Ends (E) to Tie Rods. When installing to Spindles, use stock hardware. See Fig. 3.
6. Route Brake Lines so that no interference or binding can occur. Secure to Upper A-Arms (A)(B) with Brake Line Clips (F) and M5-.8 x 13mm Lg. PHMS (G). See Fig. 4.
7. Tighten all hardware completely and reinstall necessary components.



(illustrations begin on following pages)

Fig. 1

Install Grease Fittings (H) into A-Arms (A-D)

Install stock Bushings and Bearings into A-Arms (A-D)

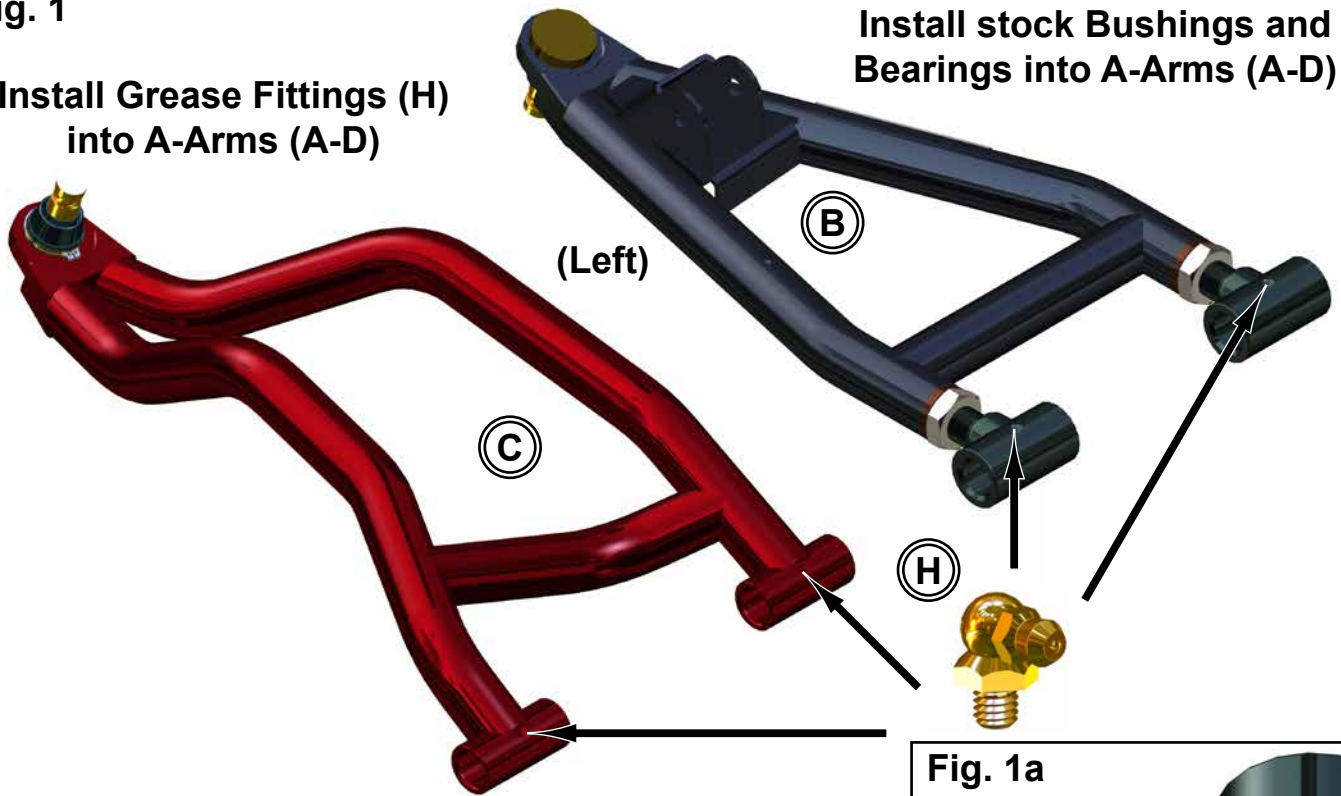
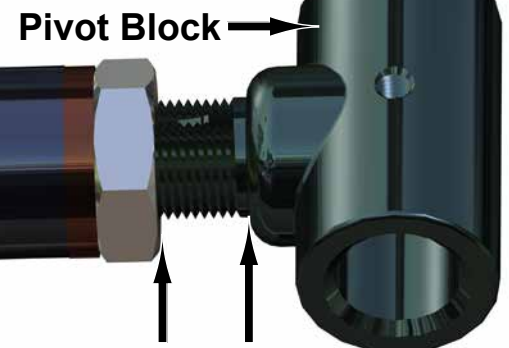
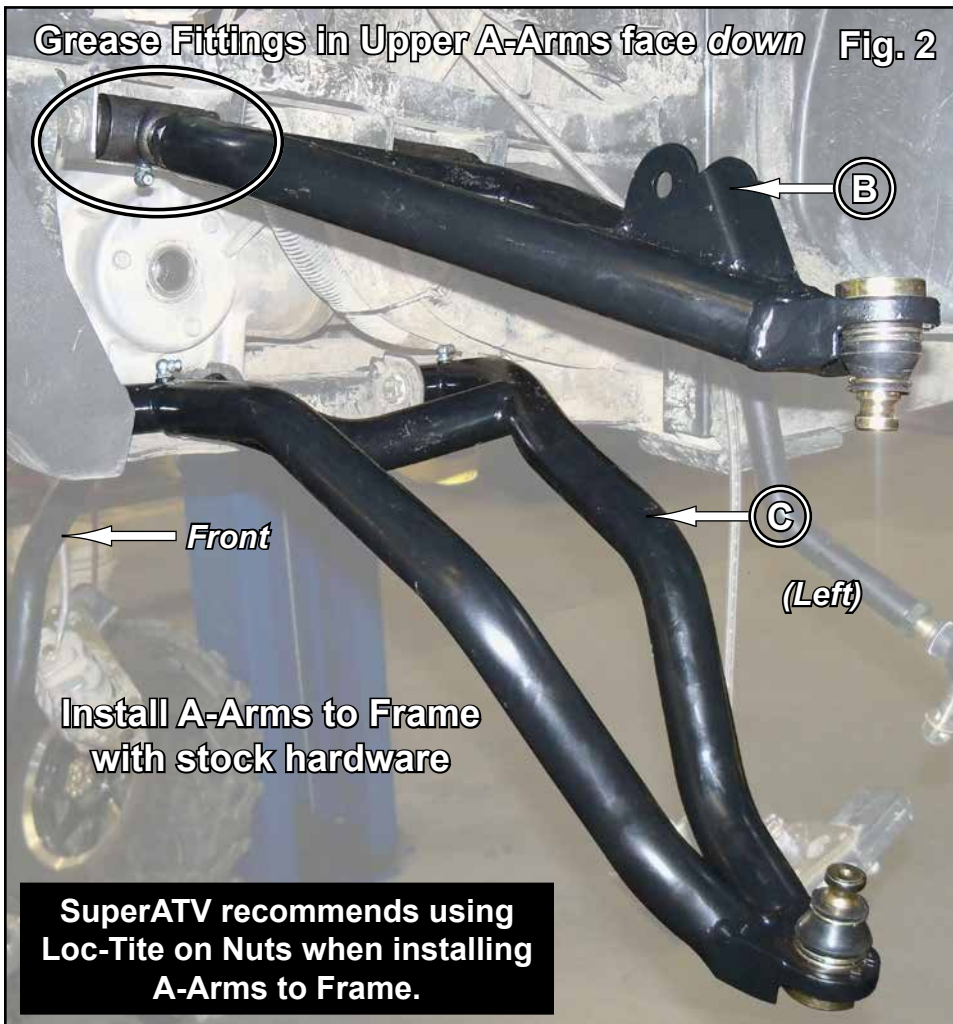


Fig. 1a



Set Pivot Blocks to 3/4"

Grease Fittings in Upper A-Arms face *down* Fig. 2



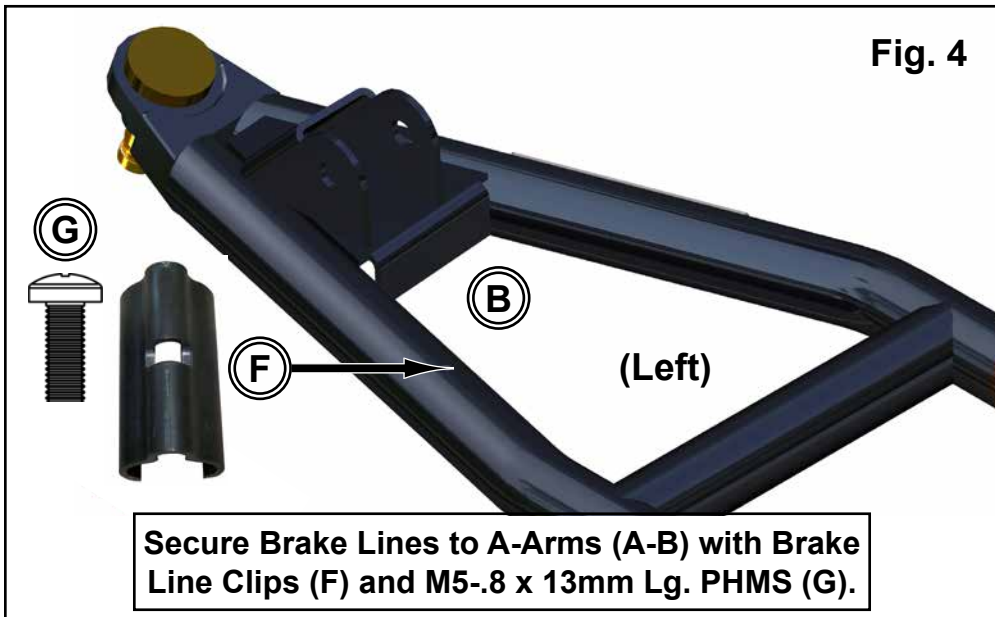
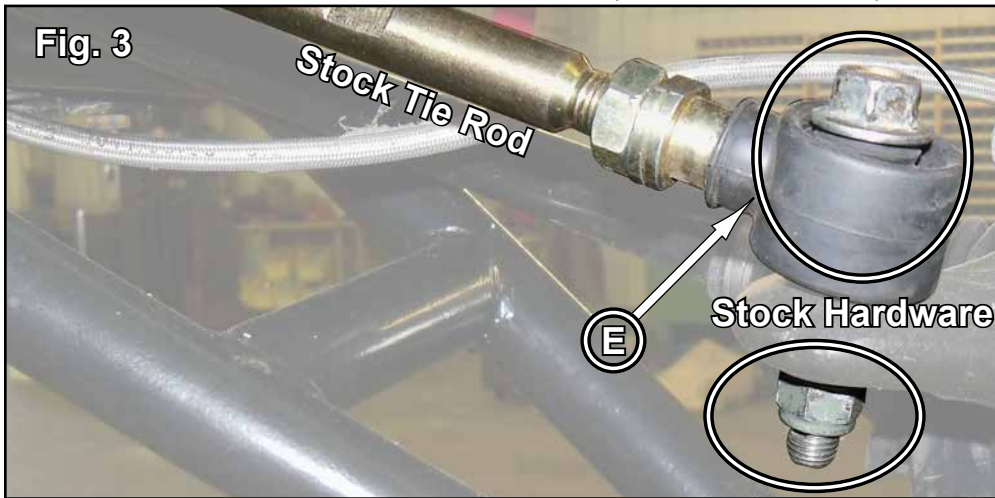
Install A-Arms to Frame with stock hardware

SuperATV recommends using Loc-Tite on Nuts when installing A-Arms to Frame.

PARTS REFERENCE

Item	Description
B	Upper A-Arm, Left
C	Lower A-Arm, Left
H	Grease Fittings

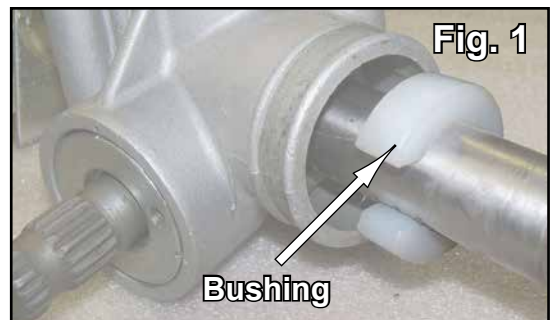
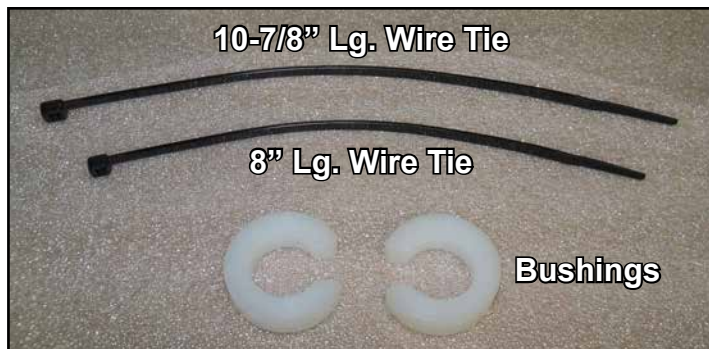
(illustrations continued)



**PARTS REFERENCE**

Item	Description
B	Upper A-Arm, Left
E	Tie Rod Ends
F	Brake Line Clips
G	M5-.8 x 13mm Lg. PHMS

**Steering Stop Installation:** Rack and Pinion shown off machine for clarity.



Note: Driver Side installation is shown.

1. Unclamp and slide Boot away from Steering Gear Box.
  2. Install Bushings onto shaft. See Fig. 1.
  3. Reinstall Boot with 10-7/8" Lg. Wire Tie. See Fig. 1a.
- Repeat steps for opposite side.