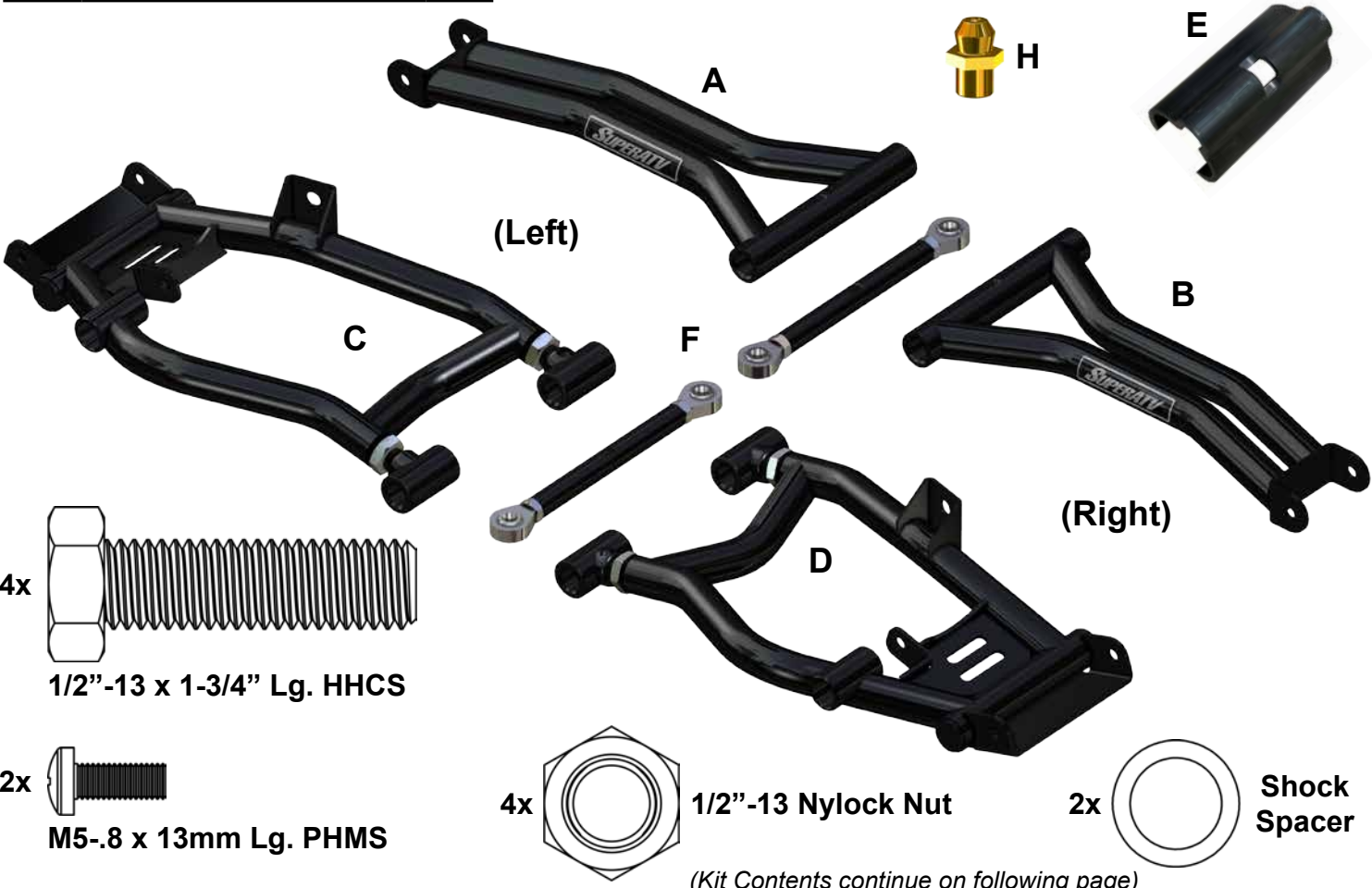


## INSTALLATION INSTRUCTIONS

### Polaris RZRS High Clearance Rear A-Arms (1.5" Offset)

Item	Description	Qty
A	Rear Upper A-Arm, Left	1
B	Rear Upper A-Arm, Right	1
C	Rear Lower A-Arm, Left	1
D	Rear Lower A-Arm, Right	1

Item	Description	Qty
E	Brake Line Clips	2
F	Sway Bar Links	2
H	Grease Fittings	6



(Kit Contents continue on following page)

**Read instructions and view illustrations before beginning.**

**Need help with your installation?**

✉ sales@superatv.com    🌐 www.superatv.com

☎ 1-812-574-7777    🕒 8:00am - 9:00pm EST M-Th  
8:00am - 7:00pm EST Friday  
9:00am - 2:00pm EST Saturday

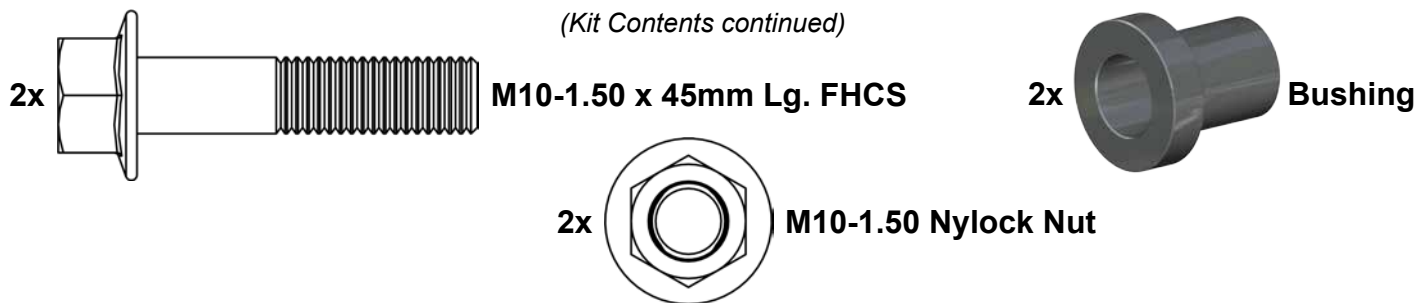
Thank You  
For Choosing  
**SUPERATV.COM**

**Liability Statement**  
SuperATV's products are designed to best fit users ATV/UTV under stock conditions. Adding, modifying, or fabricating any factory, or aftermarket, parts will void any warranty provided by SuperATV and is not recommended. SuperATV's products could interfere with other aftermarket accessories. If user has aftermarket products on machine, contact SuperATV to verify that they will work together.

Although SuperATV has thousands of satisfied customers, user should be aware that installing lift kits, long travel, or suspension kits, tires, etc will change the ride of machine and may increase maintenance and part wear. Operating any off-road machine while, or after, consuming alcohol and/or drugs increases risk of bodily harm or death. No warranty or representation is made as to this product's ability to protect user from severe injury or death. SuperATV urges operators and occupants to wear a helmet and appropriate riding gear at all times.

By purchasing and installing SuperATV products, user agrees that should damages occur, SuperATV will not be held responsible for loss of time, use, labor fees, replacement parts, or freight charges. SuperATV, nor any 3rd party, will not be held responsible for any direct, indirect, incidental, special, or consequential damages that result from any product purchased from SuperATV. The total liability of seller to user for all damages, losses, and causes of action, if any, shall not exceed the total purchase price paid for the product that gave rise to the claim.

SuperATV will warranty only parts provided by SuperATV. Any damage or problems with OEM housings, bearings, seals, or other manufacturers products will not be covered by SuperATV. SuperATV parts and products are not warranted if item was not installed properly, misused, or modified.



*Do not tighten hardware completely unless noted. Keep all components removed from machine.*

1. Raise Rear of machine off ground, secure with jack stands.
  - Remove Wheels.
  - Unbolt Sway Bar Links and Shocks from Lower A-Arms. See Fig. 1.
  - Remove Brake Lines from A-Arms.
  - Remove Spindles. See Fig. 1.
2. Remove stock Upper and Lower A-Arms from Frame. See Fig. 1.
3. Remove Sway Bar Links from machine. See Fig. 1a.
4. Transfer stock Bushings, or install SuperATV Poly Bushing Kit AAB-P-RZR, into A-Arms (A-D). See Fig. 2.
  - Install Grease Fittings (H) into A-Arms (A-D). See Fig. 2.
6. Install A-Arms (A-D) to Frame with stock hardware. SuperATV recommends using Loc-Tite on Nuts when installing. See Fig. 3.
7. Install Sway Bar Links (F) to stock Sway Bar. See page 5.
8. Reinstall necessary components with stock hardware; tighten completely. See Fig. 3a.
9. Ensure no binding can occur, and secure Brake Lines with Brake Line Clips (E) and M5-.8 x 13mm Lg. PHMS. See Fig. 3a.

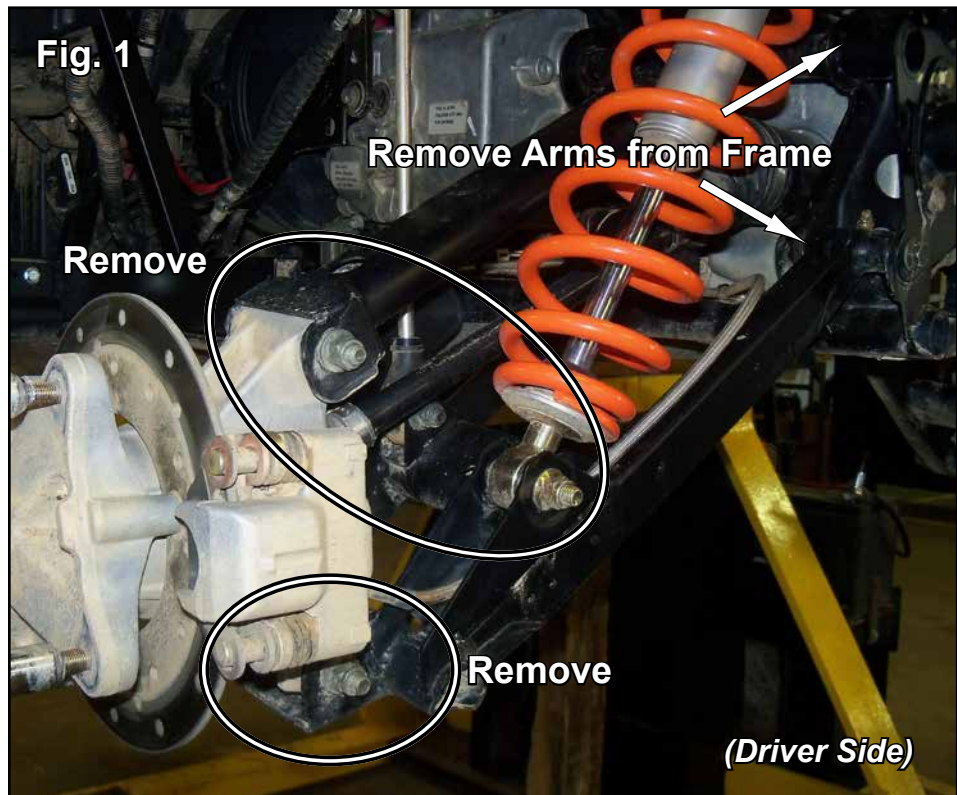


Fig. 2

Install stock Bearings or SuperATV Poly Bushing Kit AAB-P-RZR into A-Arms (A-D)

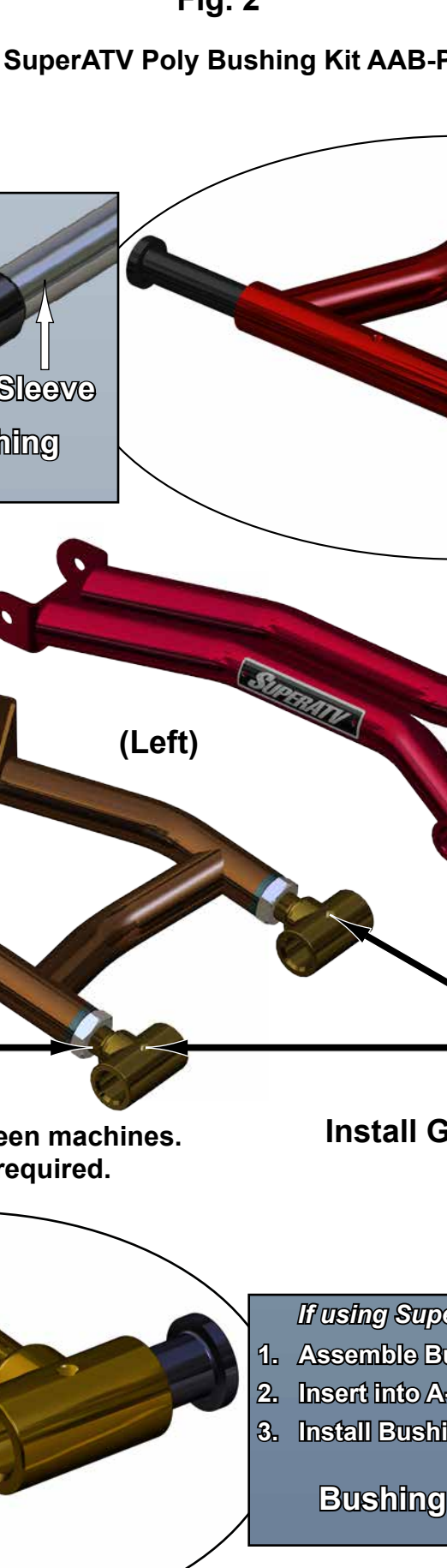
*If using SuperATV Poly Kit:*

1. Assemble Bushing to Sleeve.
2. Insert into A-Arm.
3. Install Bushing.



Sleeve

Bushing

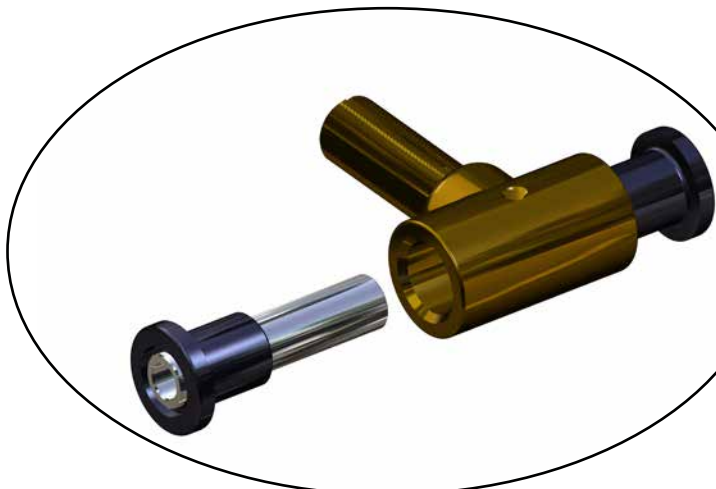


(Left)

Adjust Ball Joints so that 3/8" of thread is showing.

Install Grease Fittings (H) into A-Arms (A-D)

Number will vary slightly between machines.  
Slight variations may be required.



*If using SuperATV Poly Kit:*

1. Assemble Bushing to Sleeve.
2. Insert into A-Arm.
3. Install Bushing.

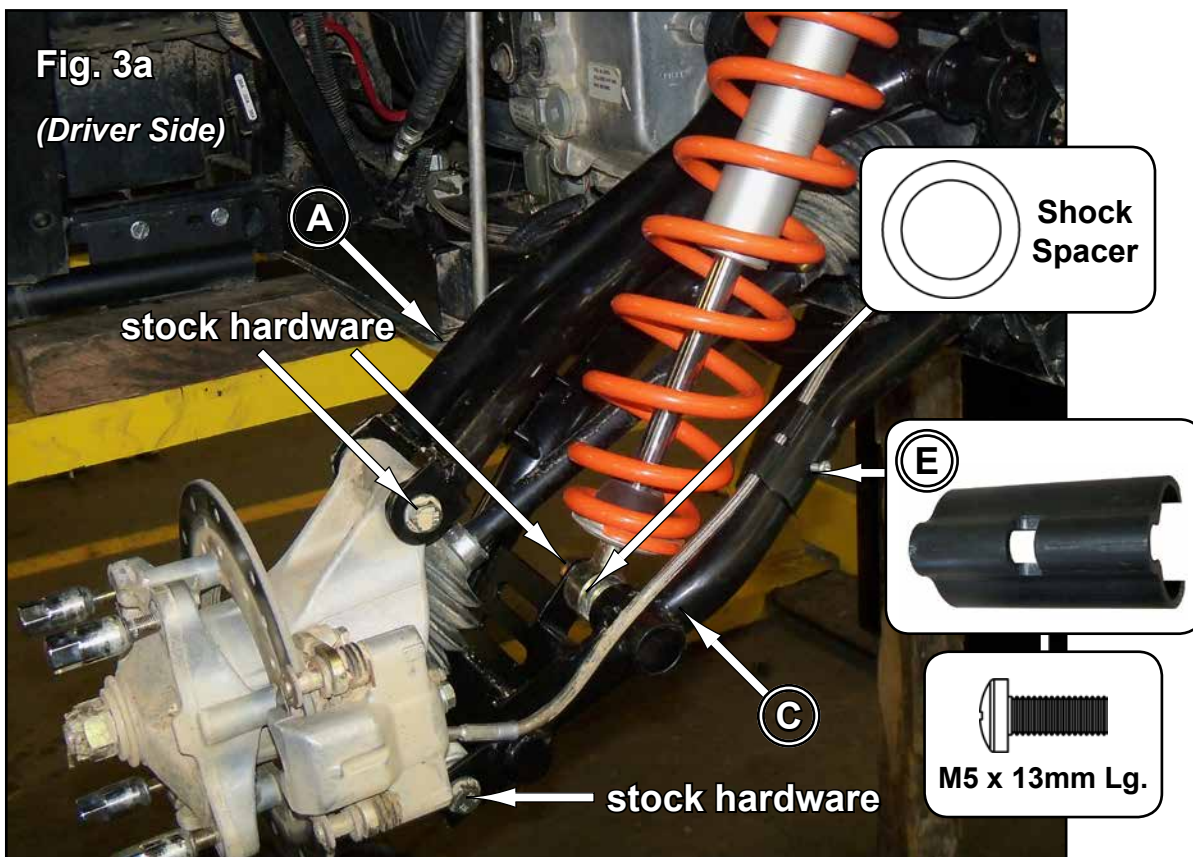


Bushing

Sleeve



Install A-Arms (A-D) to Frame with stock hardware Fig. 3



## Sway Bar Link Installation

- Install Sway Bar Links (F) to stock Sway Bar with Bushings, M10-1.50 x 45mm Lg. FHCS, and M10-1.50 Nylock Nuts.
- Install Sway Bar Links (F) to Lower A-Arms (C)(D) with 1/2"-13 x 1-3/4" Lg. HHCS and 1/2"-13 Nylock Nuts.
- Tighten all hardware completely.

