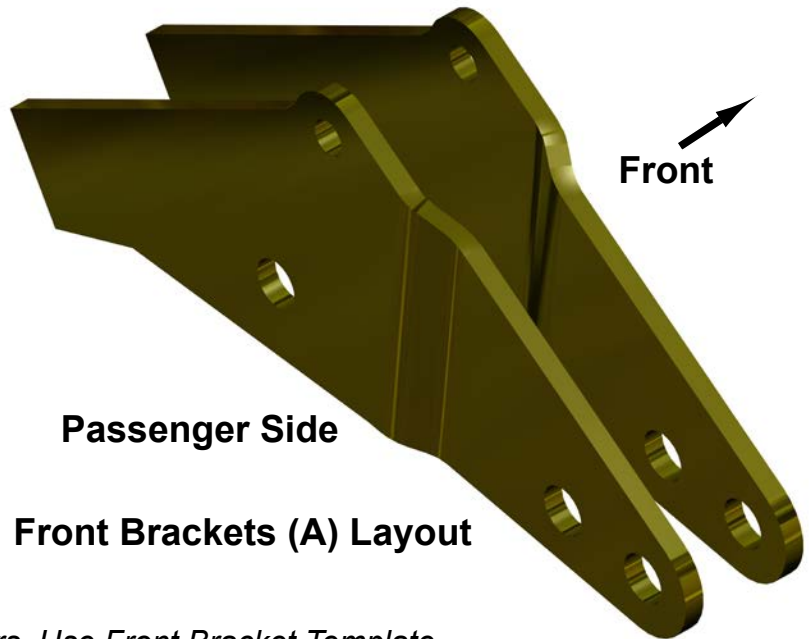


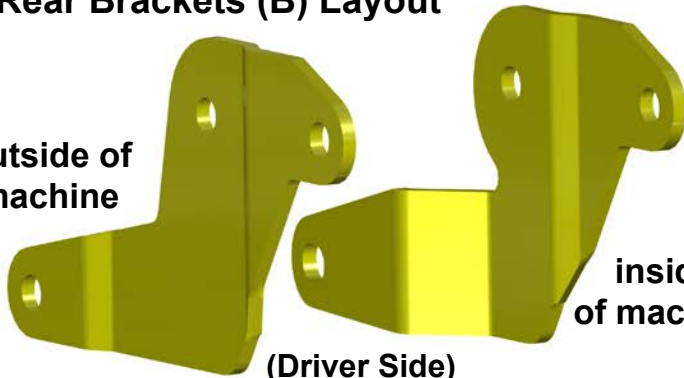
Item	Description	Qty
A	Front Brackets**	2 Pr
B	Rear Brackets	2 Pr
C	M6-1.0 x 55mm Lg. HHCS	2
D	M6-1.0 Nylock Nuts	2
E	M10-1.50 Nylock Nuts	6
F	M6 Heavy Washers	4
G	M10-1.50 x 60mm Lg. HHCS	2
H	M10-1.50 x 65mm Lg. HHCS	4
J	21mm Lg. Spacers (Front)	4
K	31.5mm Lg. Spacers (Rear)	2
L	M10 Flat Washers	2
M	M12-1.75 x Nylock Nuts	4
N	M12-1.75 x 65mm Lg. HHCS	4



** Front Brackets differ between model years. Use Front Bracket Template to determine appropriate Front Brackets to install.

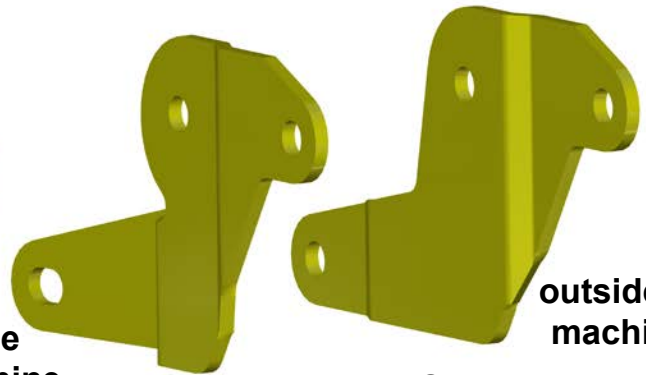
Rear Brackets (B) Layout

outside of machine



(Driver Side)

inside of machine



(Passenger Side)

outside of machine

kit contents continue on following page

Read instructions and view illustrations before beginning.

Need help with your installation?



sales@superatv.com



www.superatv.com



1-812-574-7777



8:00am - 9:00pm EST M-Th
8:00am - 7:00pm EST Friday
9:00am - 2:00pm EST Saturday

Thank You

For Choosing

Liability Statement

SuperATV's products are designed to best fit users ATV/UTV under stock conditions. Adding, modifying, or fabricating any factory, or aftermarket, parts will void any warranty provided by SuperATV and is not recommended. SuperATV's products could interfere with other aftermarket accessories. If user has aftermarket products on machine, contact SuperATV to verify that they will work together.

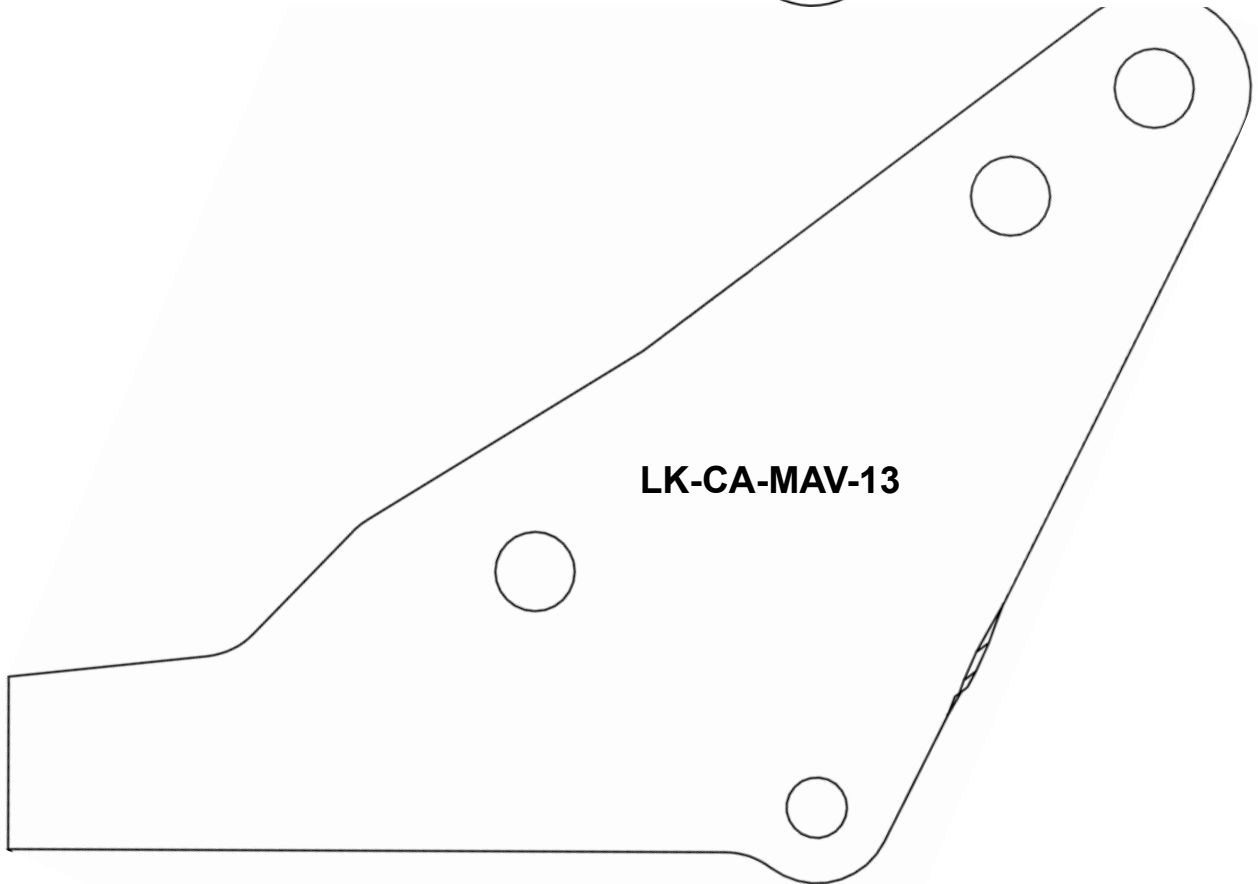
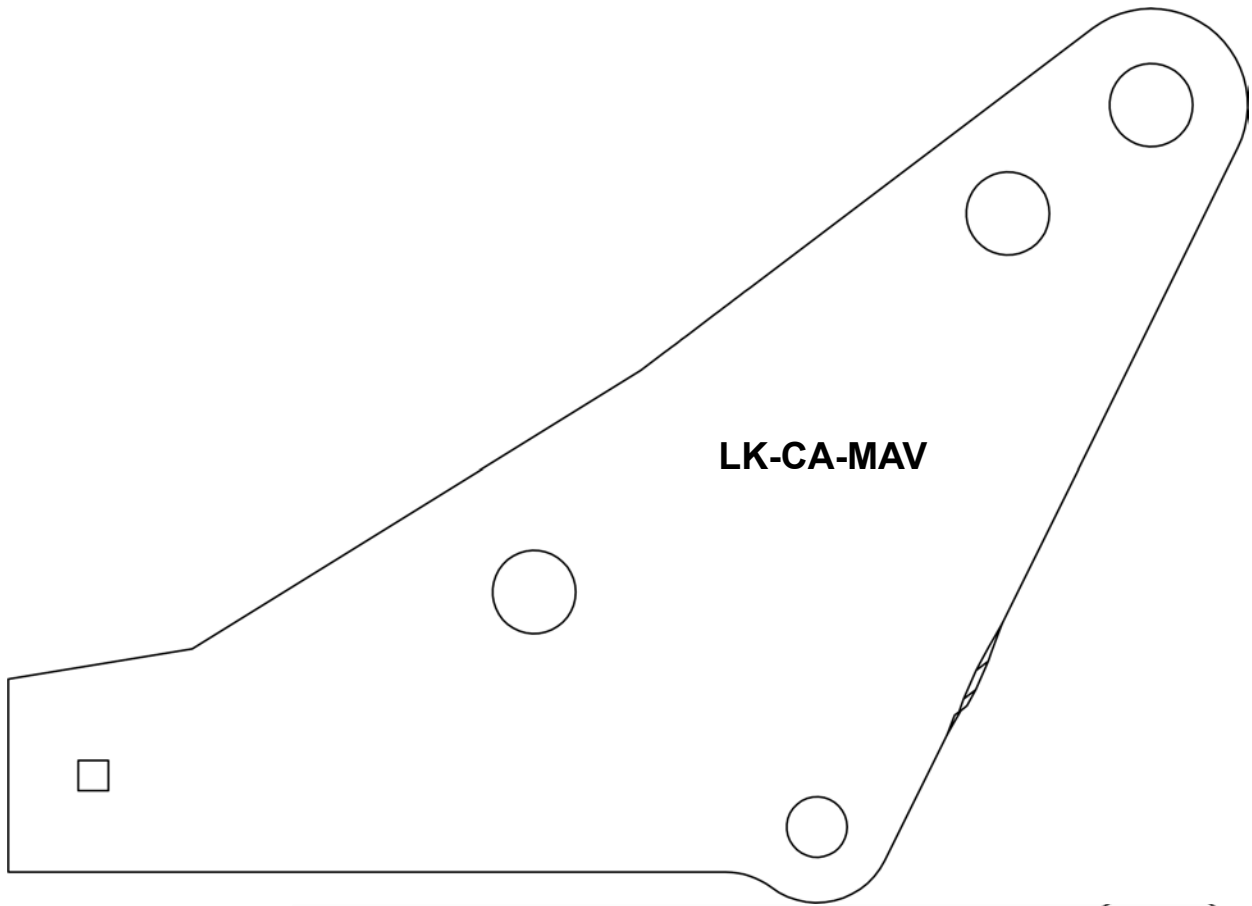
Although SuperATV has thousands of satisfied customers, user should be aware that installing lift kits, long travel, or suspension kits, tires, etc will change the ride of machine and may increase maintenance and part wear. Operating any off-road machine while, or after, consuming alcohol and/or drugs increases risk of bodily harm or death. No warranty or representation is made as to this product's ability to protect user from severe injury or death. SuperATV urges operators and occupants to wear a helmet and appropriate riding gear at all times.

By purchasing and installing SuperATV products, user agrees that should damages occur, SuperATV will not be held responsible for loss of time, use, labor fees, replacement parts, or freight charges. SuperATV, nor any 3rd party, will not be held responsible for any direct, indirect, incidental, special, or consequential damages that result from any product purchased from SuperATV. The total liability of seller to user for all damages, losses, and causes of action, if any, shall not exceed the total purchase price paid for the product that gave rise to the claim.

SuperATV will warranty only parts provided by SuperATV. Any damage or problems with OEM housings, bearings, seals, or other manufacturers products will not be covered by SuperATV. SuperATV parts and products are not warranted if item was not installed properly, misused, or modified.

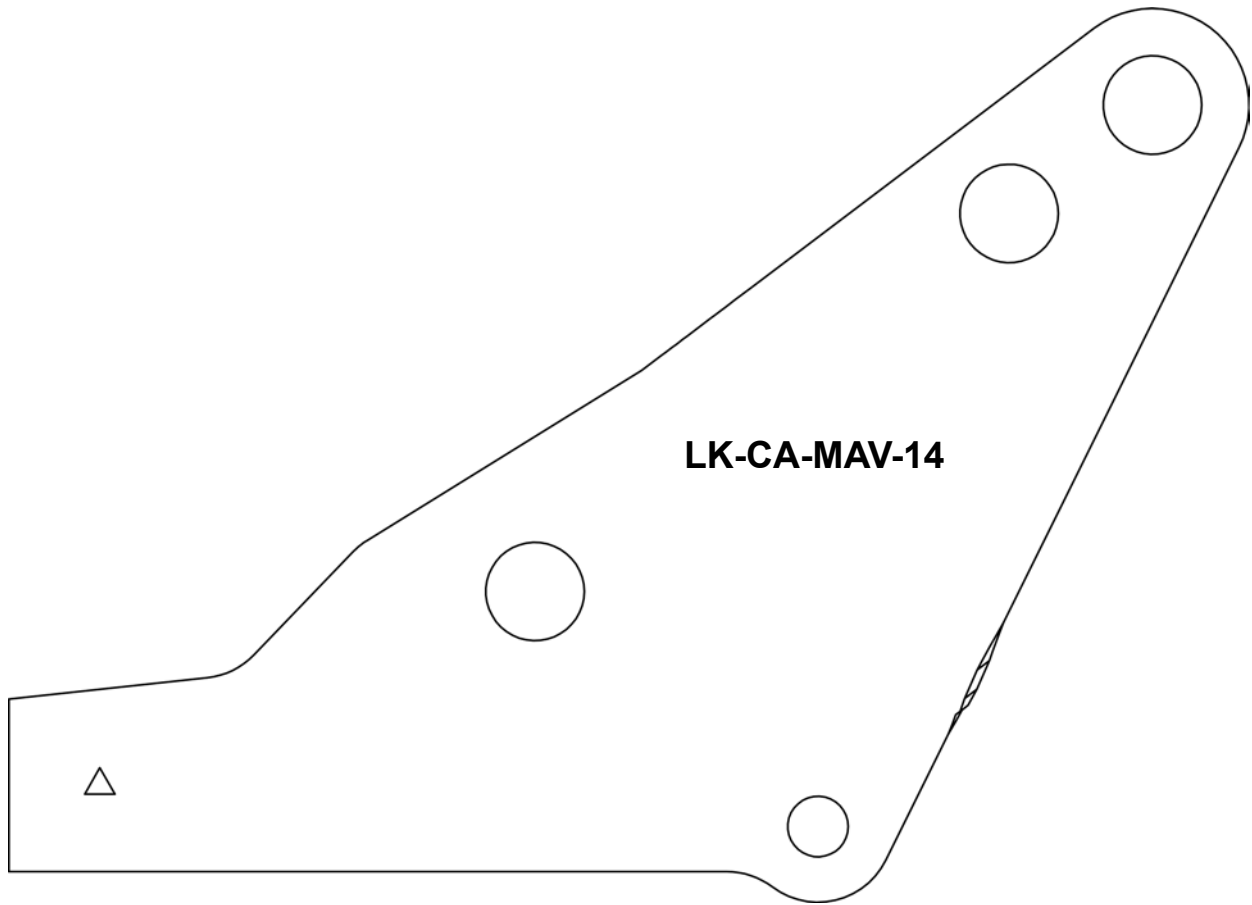
Front Bracket Template

Use "Front Bracket Template" to verify correct Brackets are being installed.

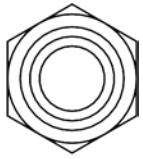


Front Bracket Templates continued

Use "Front Bracket Template" to verify correct Brackets are being installed.



kit contents continued



M10-1.50 Nylock Nut (E)



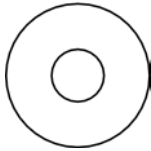
21mm Lg. Spacer (J)



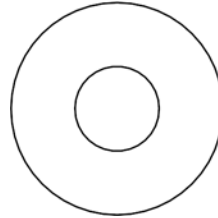
M6-1.0 Nylock Nut (D)



31.5mm Lg. Spacer (K)



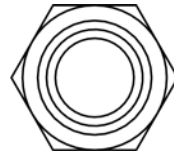
M6 Heavy Washer (F)



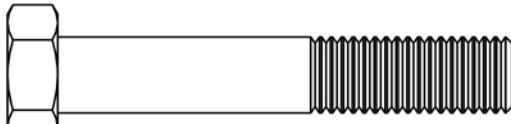
M10 Flat Washer (L)



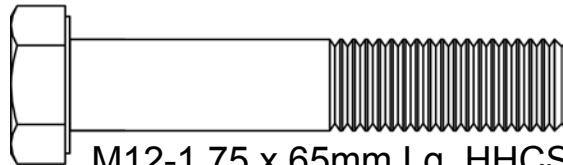
M10-1.50 x 65mm Lg. HHCS (H)



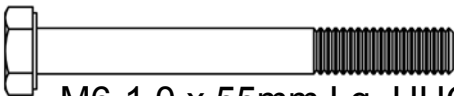
M12-1.75 Nylock Nut (M)



M10-1.50 x 60mm Lg. HHCS (G)



M12-1.75 x 65mm Lg. HHCS (N)



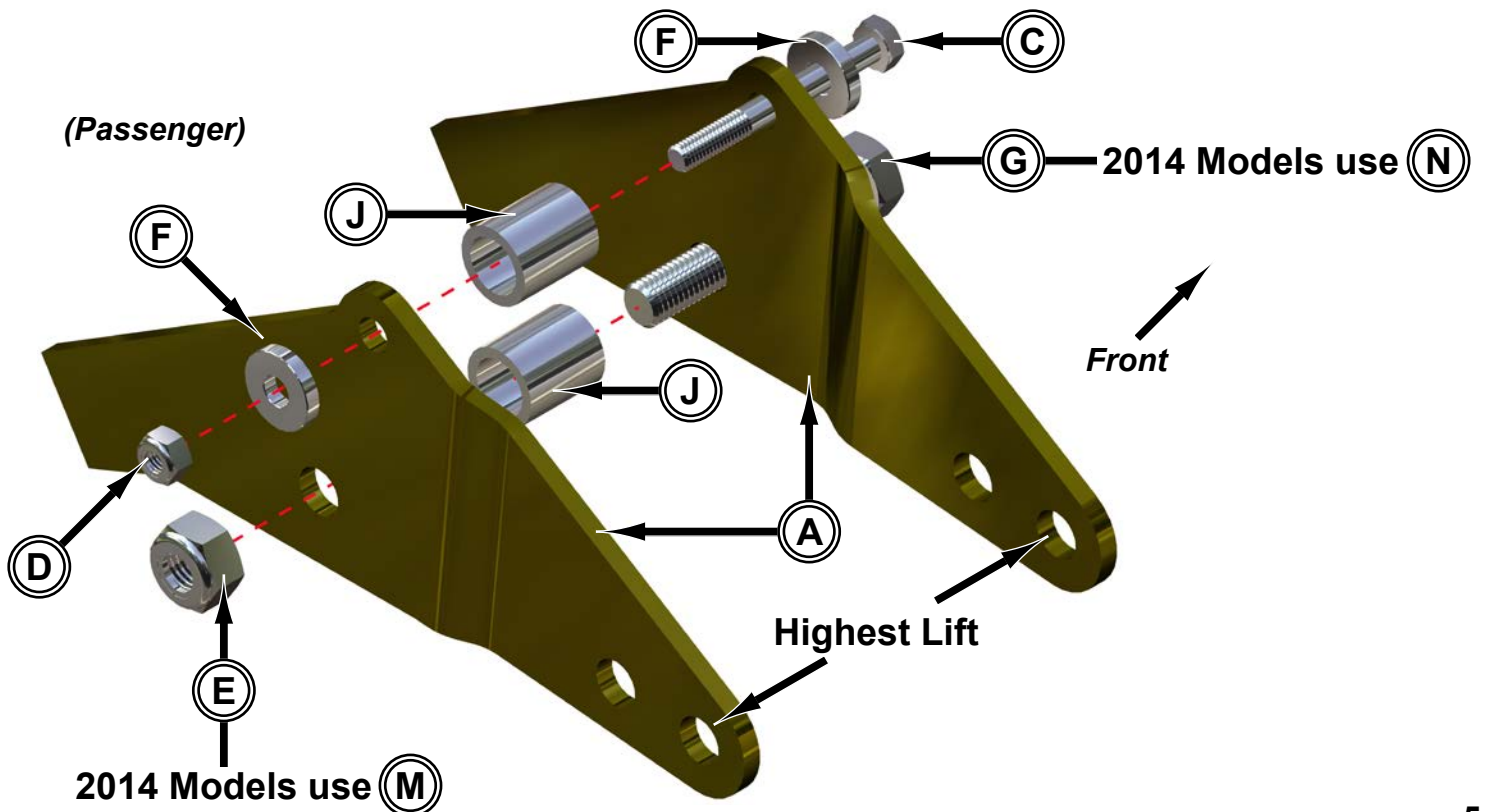
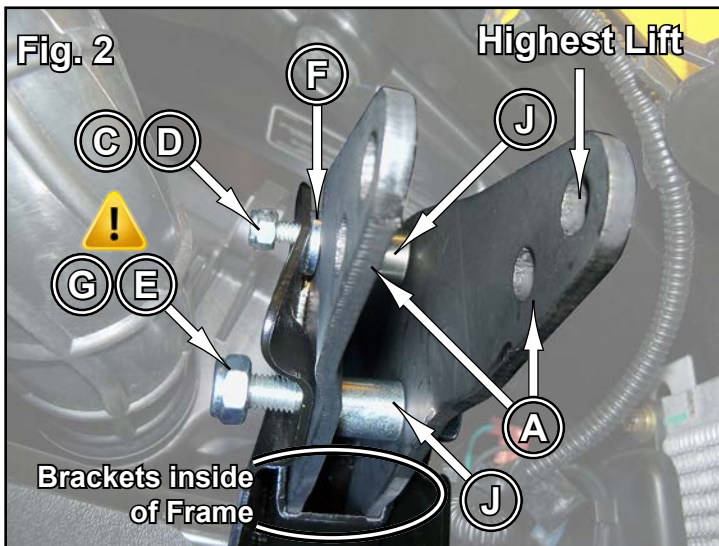
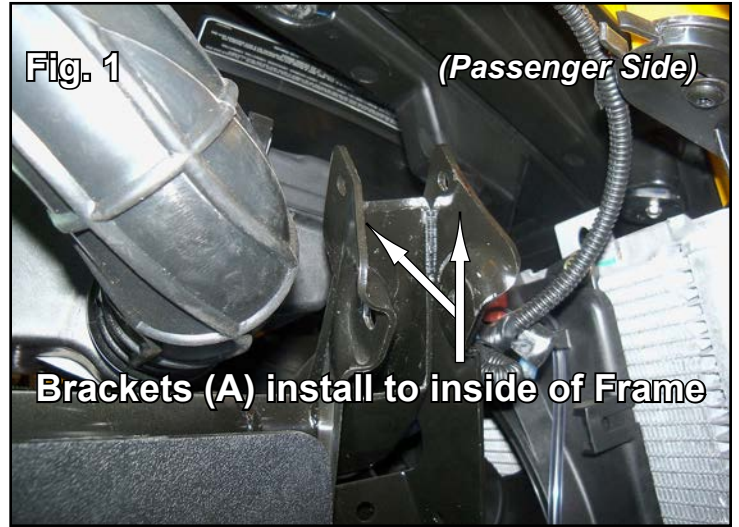
M6-1.0 x 55mm Lg. HHCS (C)



Do not tighten hardware completely unless noted.

1. Raise Front of machine off ground, secure with jack stands, and remove Wheels.
2. Remove Shocks from Frame. See Fig. 1.
3. Install Front Brackets (A) to Frame. See Fig. 2.
 - Secure with M6-1.0 x 55mm Lg. HHCS (C), M6-1.0 Nylock Nut (D), (2) M6 Heavy Washers (F), and 21mm Lg. Spacer (J). See Fig. 2.
 - Complete with M10-1.50 x 60mm Lg. HHCS (G), 21mm Lg. Spacer (J), and M10-1.50 Nylock Nut (E). See Fig. 2. 2014 Models will use M12-1.75 x 65mm Lg. HHCS (N) and M12-1.75 Nylock Nut (M).
4. See Lift Settings and reinstall Shock with stock hardware. See Fig. 3.
5. Repeat steps for opposite side.

Front (Passenger Side shown)

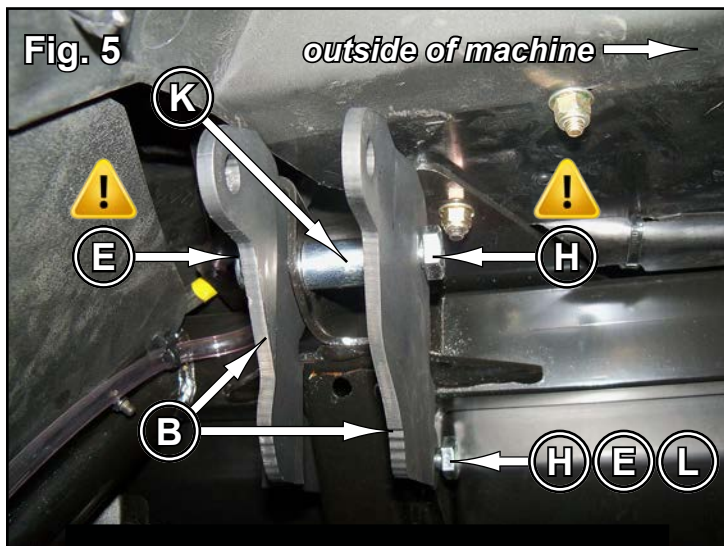
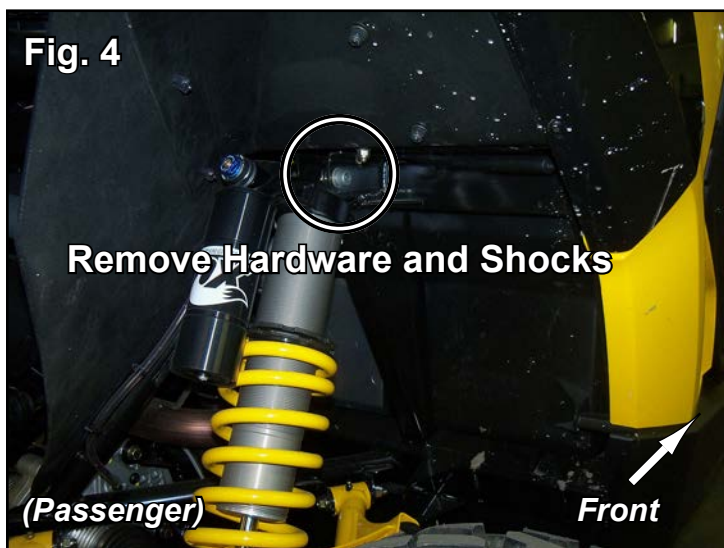


REAR (Passenger Side shown)

Do not tighten hardware completely unless noted.

Keep stock hardware for reuse.

1. Raise Rear of machine off ground, secure with jack stands, and remove Wheels.
2. Remove Shocks from Frame. See Figs. 4 - 4a.
3. Install Rear Brackets (B) to Frame. See Fig. 5.
 - Secure with M10-1.50 x 65mm Lg. HHCS (H), 31.5mm Lg. Spacer (K), M10 Flat Washer (L), and M10-1.50 Nylock Nuts (E). See Fig. 5.
 - 2014 Models will use M12-1.75 x 65mm Lg. HHCS (N) and M12-1.75 Nylock Nuts (M).
4. Reinstall Shock with stock hardware. See Fig. 6.
5. Repeat steps for opposite side.



2014 Models use:
 - M12-1.75 x 65mm Lg. HHCS (N)
 - M12-1.75 Nylock Nut (M)

PARTS REFERENCE

Item	Description
B	Rear Brackets
E	M10-1.50 Nylock Nuts
H	M10-1.50 x 65mm Lg. HHCS
K	31.5mm Lg. Spacers (Rear)
L	M10 Flat Washers
M	M12-1.75 x Nylock Nuts
N	M12-1.75 x 65mm Lg. HHCS