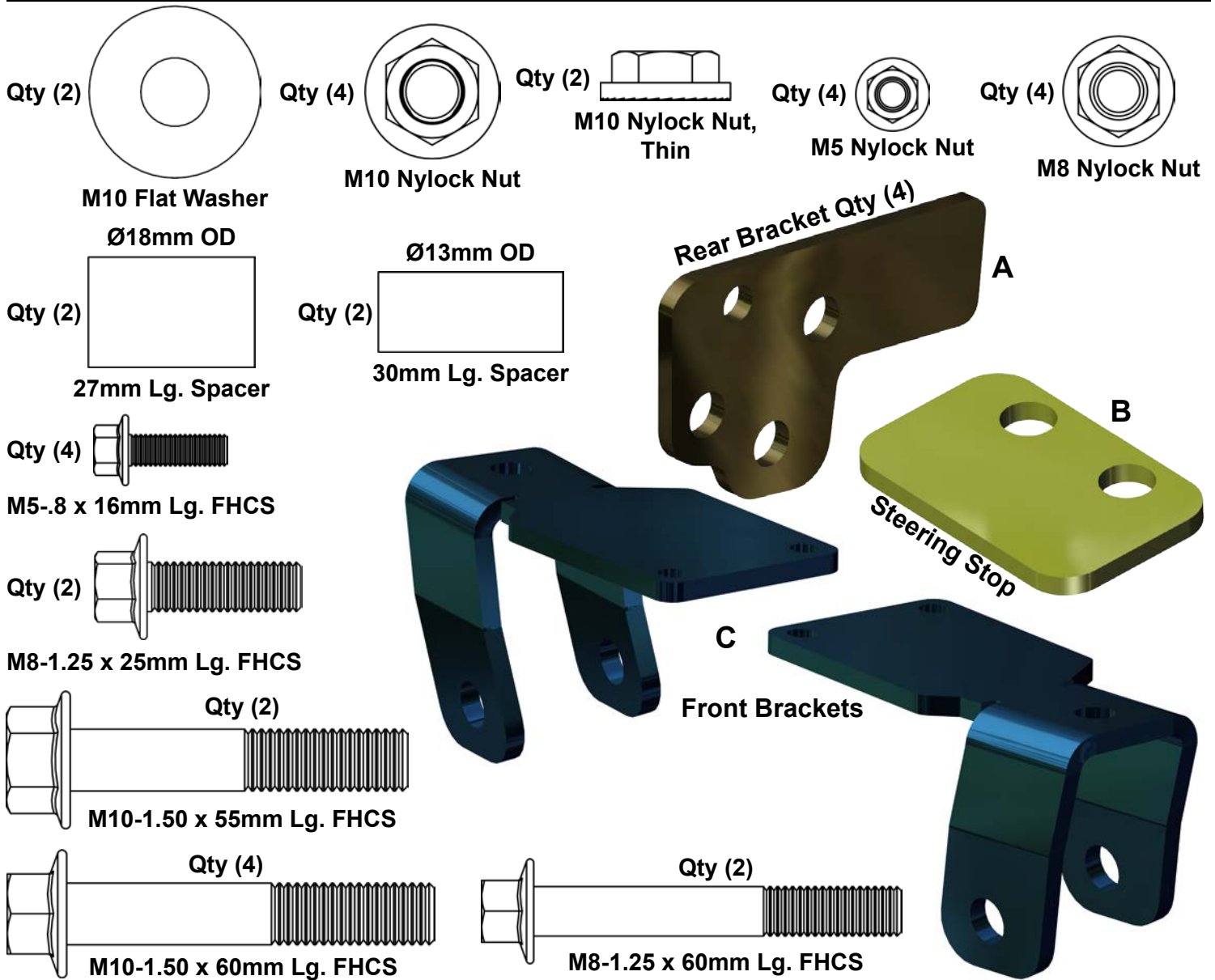


### Can-Am Renegade 2" Lift Kit



**Read instructions and view illustrations before beginning.**

**Need help with your installation?**



sales@superatv.com



www.superatv.com



1-812-574-7777



8:00am - 9:00pm EST M-Th  
8:00am - 7:00pm EST Friday  
9:00am - 2:00pm EST Saturday

*Thank You  
For Choosing*



**Liability Statement**

SuperATV's products are designed to best fit users ATV/UTV under stock conditions. Adding, modifying, or fabricating any factory, or aftermarket, parts will void any warranty provided by SuperATV and is not recommended. SuperATV's products could interfere with other aftermarket accessories. If user has aftermarket products on machine, contact SuperATV to verify that they will work together.

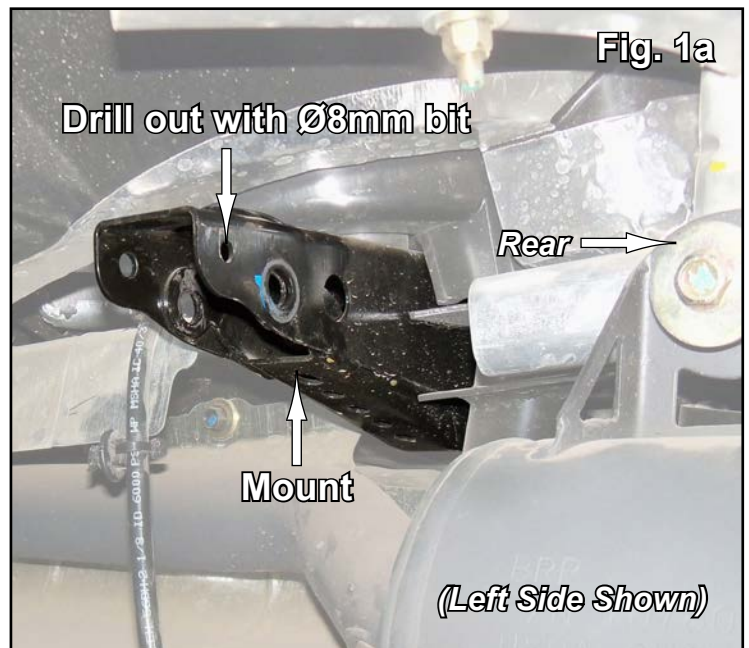
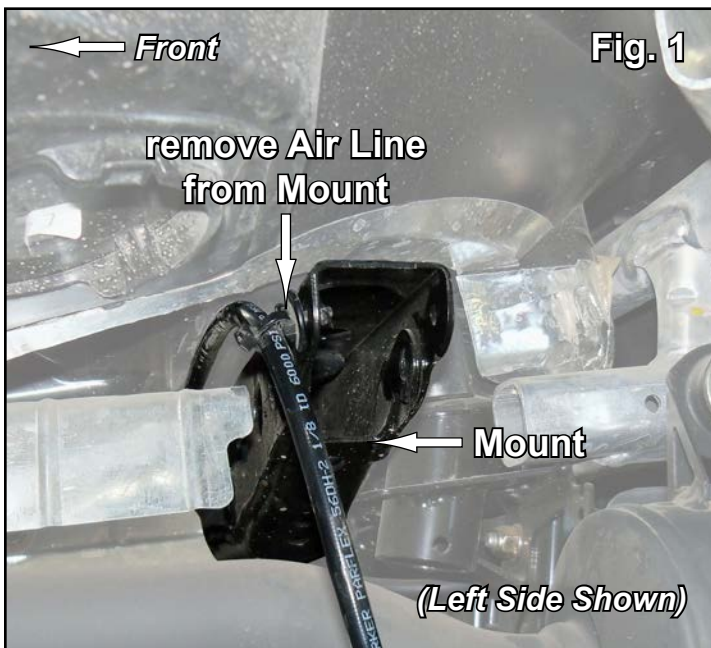
Although SuperATV has thousands of satisfied customers, user should be aware that installing lift kits, long travel, or suspension kits, tires, etc will change the ride of machine and may increase maintenance and part wear. Operating any off-road machine while, or after, consuming alcohol and/or drugs increases risk of bodily harm or death. No warranty or representation is made as to this product's ability to protect user from severe injury or death. SuperATV urges operators and occupants to wear a helmet and appropriate riding gear at all times.

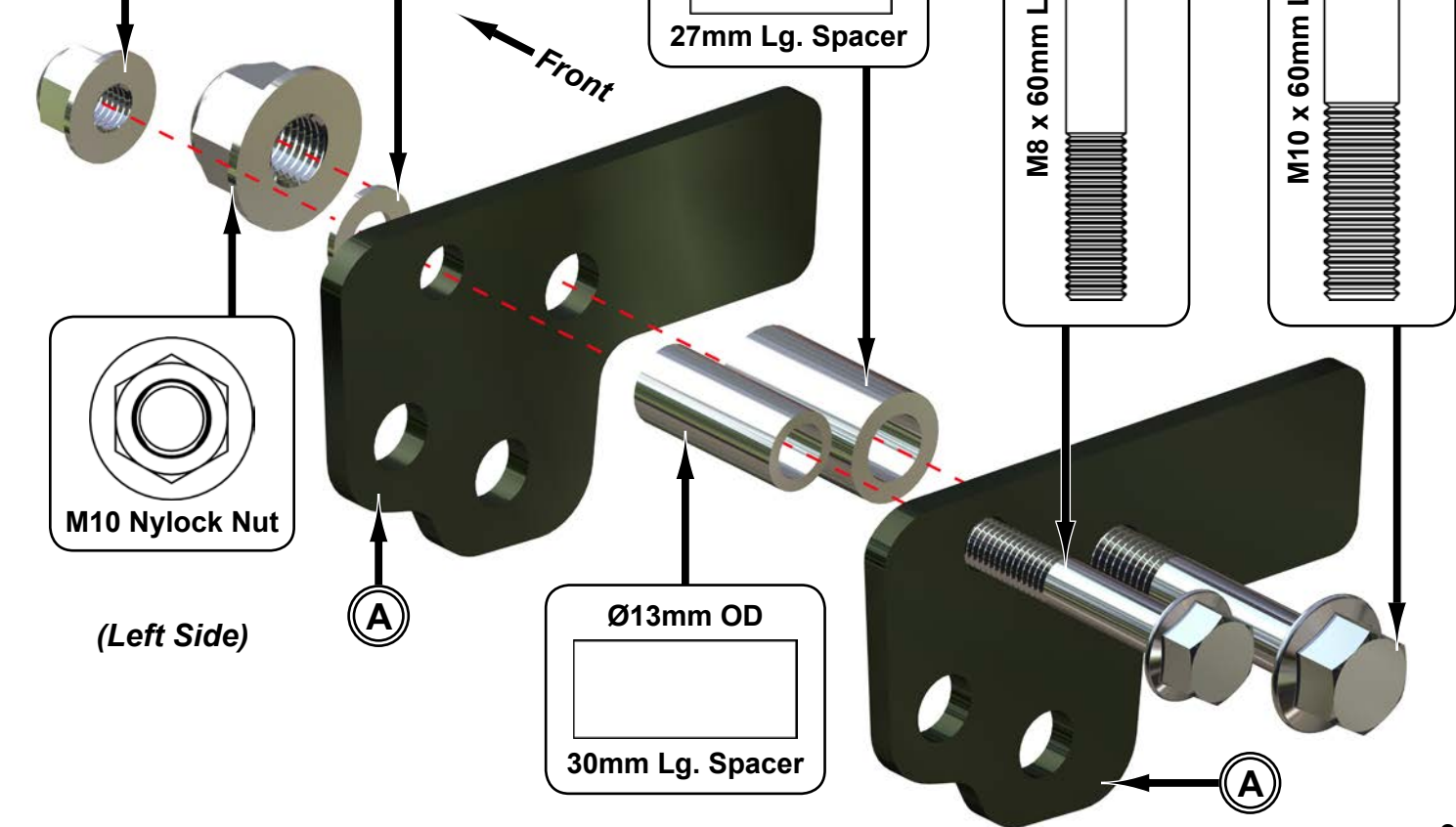
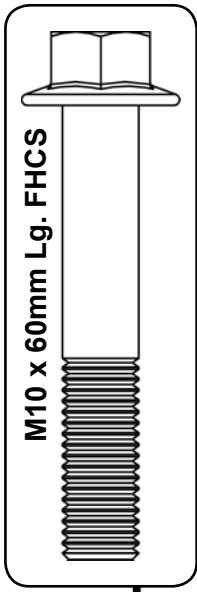
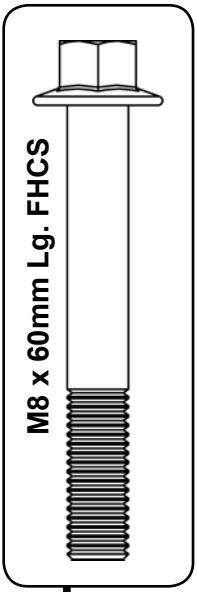
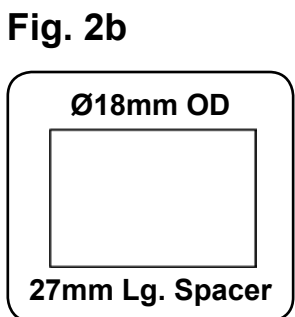
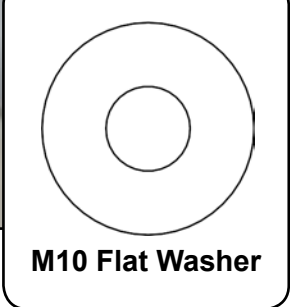
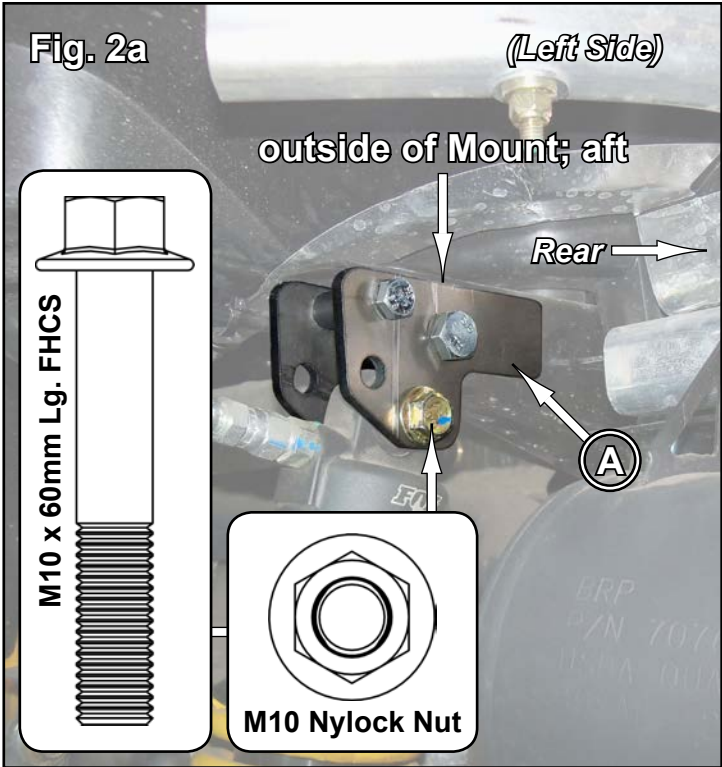
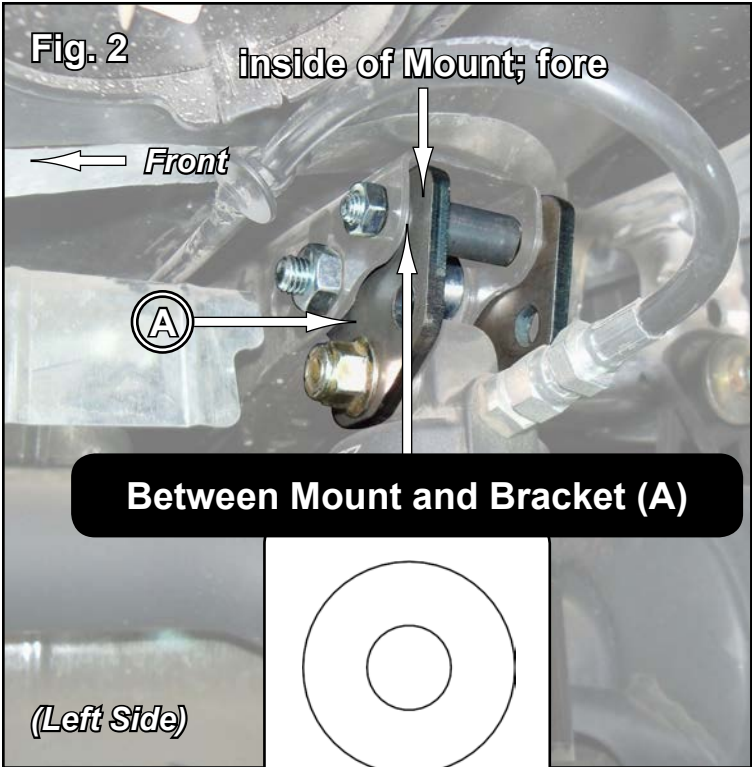
By purchasing and installing SuperATV products, user agrees that should damages occur, SuperATV will not be held responsible for loss of time, use, labor fees, replacement parts, or freight charges. SuperATV, nor any 3rd party, will not be held responsible for any direct, indirect, incidental, special, or consequential damages that result from any product purchased from SuperATV. The total liability of seller to user for all damages, losses, and causes of action, if any, shall not exceed the total purchase price paid for the product that gave rise to the claim.

SuperATV will warranty only parts provided by SuperATV. Any damage or problems with OEM housings, bearings, seals, or other manufacturers products will not be covered by SuperATV. SuperATV parts and products are not warranted if item was not installed properly, misused, or modified.

**Rear** Do not tighten hardware completely unless noted. Keep all components removed.

1. Raise rear of machine off ground, secure with jack stands, remove Wheels, and disconnect Shocks from Mount.
2. Remove Air Lines from Mount. See Fig. 1.
  - Drill out hole in Mount as shown in Fig. 1a. *Only left side will be drilled.* Use a  $\text{\O}8\text{mm}$  Drill Bit.
3. Install Rear Brackets (A) to Mount. Fore Rear Bracket (A) will install to *inside* of Mount and aft Rear Bracket (A) will install to *outside* of Mount. See Figs. 2 - 2b.
  - M8 Flat Washer will go between Mount and Rear Bracket (A). See Figs. 2 - 2b.
  - Install provided Spacers, as shown in Figs. 2 - 2b, and secure components with M10-1.50 x 60mm Lg. FHCS, M10-1.50 Nylock Nut, M8-1.25 x 60mm Lg. FHCS, and M8-1.25 Nylock Nut. See Figs. 2 - 2b.
4. Install Shocks to Rear Brackets (A) with M10-1.50 x 60mm Lg. FHCS and M10-1.50 Nylock Nuts.
5. Tighten all hardware completely.







**Front** Do not tighten hardware completely unless noted. Keep all components removed.

1. Raise front of machine off ground, secure with jack stands and remove Wheels.
  - Remove Inner Fenders. See Fig. 3.
  - Drill out Rivets, remove hardware, and pull Mounts from machine. See Figs. 3a - 3b.
  - Disconnect Shocks from Mount.
2. Remove Tie Rods from Steering Post, and install Steering Stop (B) to Steering Post with stock hardware. See Fig. 4.
3. Install Front Brackets (C) to Mounts. Secure with M5-.80 x 16mm Lg. FHCS, M5-.80 Nylock Nuts, M8-1.25 x 25mm Lg. FHCS, and M8-1.25 Nylock Nut. See Figs. 5 - 5b.
4. Install Shocks to Front Brackets (C) with M10-1.50 x 55mm Lg. FHCS and M10-1.50 Nylock Nuts Thin.
5. Tighten all hardware completely.



