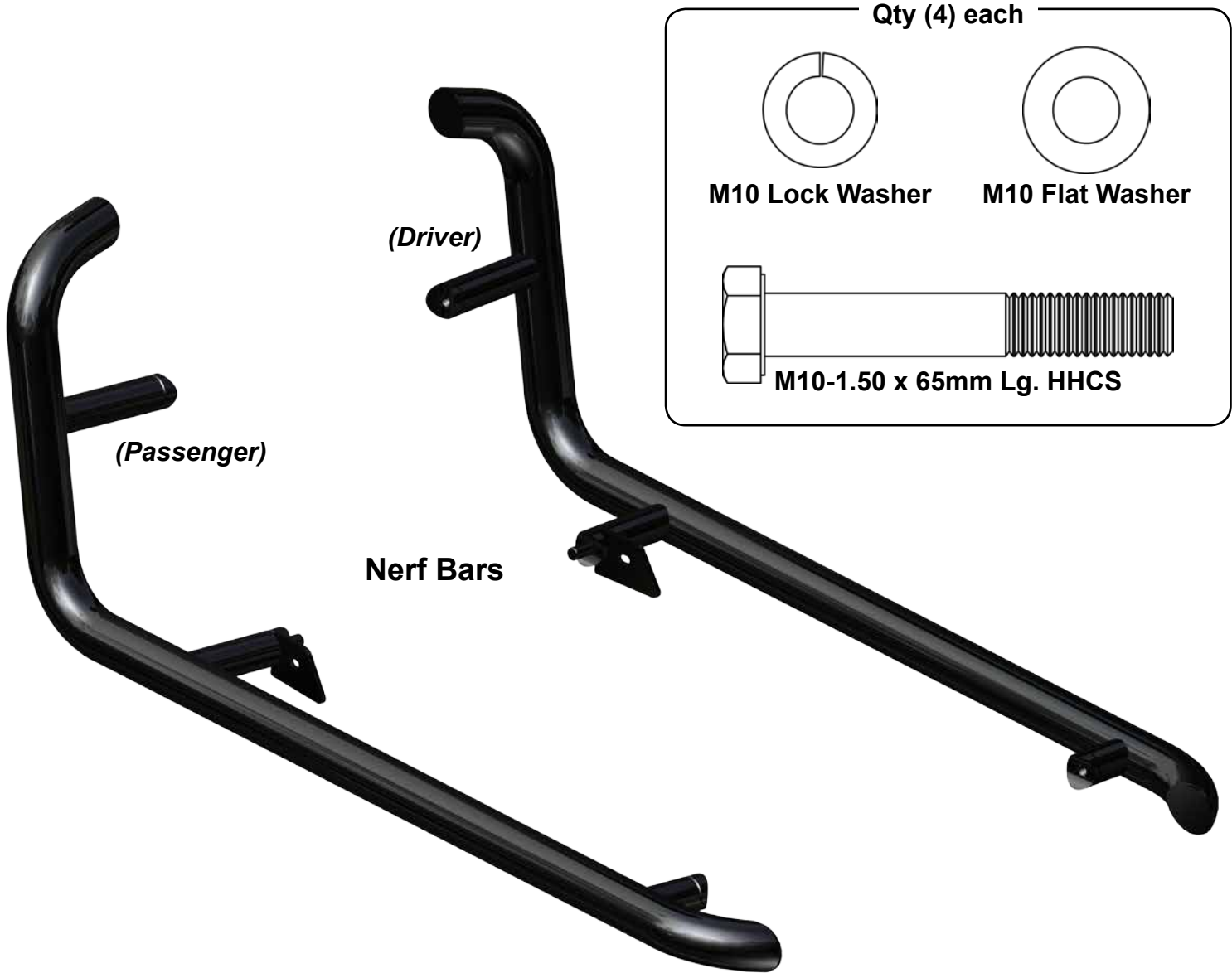


INSTALLATION INSTRUCTIONS

Polaris RZR 1000, Nerf Bars



Read instructions and view illustrations before beginning.

Need help with your installation?



sales@superatv.com



www.superatv.com



1-812-574-7777



8:00am - 9:00pm EST M-Th
8:00am - 7:00pm EST Friday
9:00am - 2:00pm EST Saturday

*Thank You
For Choosing*



Liability Statement

SuperATV's products are designed to best fit users ATV/UTV under stock conditions. Adding, modifying, or fabricating any factory, or aftermarket, parts will void any warranty provided by SuperATV and is not recommended. SuperATV's products could interfere with other aftermarket accessories. If user has aftermarket products on machine, contact SuperATV to verify that they will work together.

Although SuperATV has thousands of satisfied customers, user should be aware that installing lift kits, long travel, or suspension kits, tires, etc will change the ride of machine and may increase maintenance and part wear. Operating any off-road machine while, or after, consuming alcohol and/or drugs increases risk of bodily harm or death. No warranty or representation is made as to this product's ability to protect user from severe injury or death. SuperATV urges operators and occupants to wear a helmet and appropriate riding gear at all times.

By purchasing and installing SuperATV products, user agrees that should damages occur, SuperATV will not be held responsible for loss of time, use, labor fees, replacement parts, or freight charges. SuperATV, nor any 3rd party, will not be held responsible for any direct, indirect, incidental, special, or consequential damages that result from any product purchased from SuperATV. The total liability of seller to user for all damages, losses, and causes of action, if any, shall not exceed the total purchase price paid for the product that gave rise to the claim.

SuperATV will warranty only parts provided by SuperATV. Any damage or problems with OEM housings, bearings, seals, or other manufacturers products will not be covered by SuperATV. SuperATV parts and products are not warranted if item was not installed properly, misused, or modified.



Do not tighten hardware completely unless noted

Keep all components removed from machine.

1. Remove stock Rock Sliders if applicable.
2. Remove stock hardware shown in Fig. 1a.
3. Drill through Frame as shown in Figs. 1a - 1b. Hole to be straight and large enough to accept Ø10mm Bolt. Repeat for opposite side.
4. Install Nerf Bar to Frame with M10-1.50 x 65mm Lg. HHCS, M10 Lock Washers, and M10 Flat Washers. See Figs. 2 - 2a.
 - Use stock hardware as shown in Fig. 2a to complete installation.
5. Repeat steps for opposite side.
6. Align to machine and tighten all hardware.

(illustrations on following pages)

Fig. 1
(Passenger)



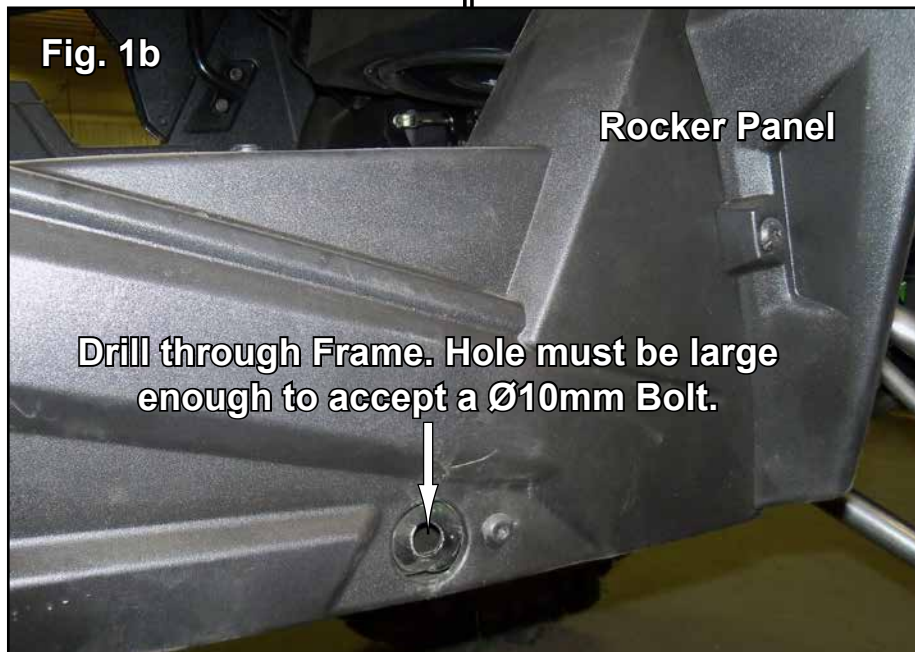
Drill through Frame. Hole must be large enough to accept a Ø10mm Bolt.



Fig. 1a

remove hardware

Fig. 1b



Rocker Panel

Drill through Frame. Hole must be large enough to accept a Ø10mm Bolt.

Fig. 2

